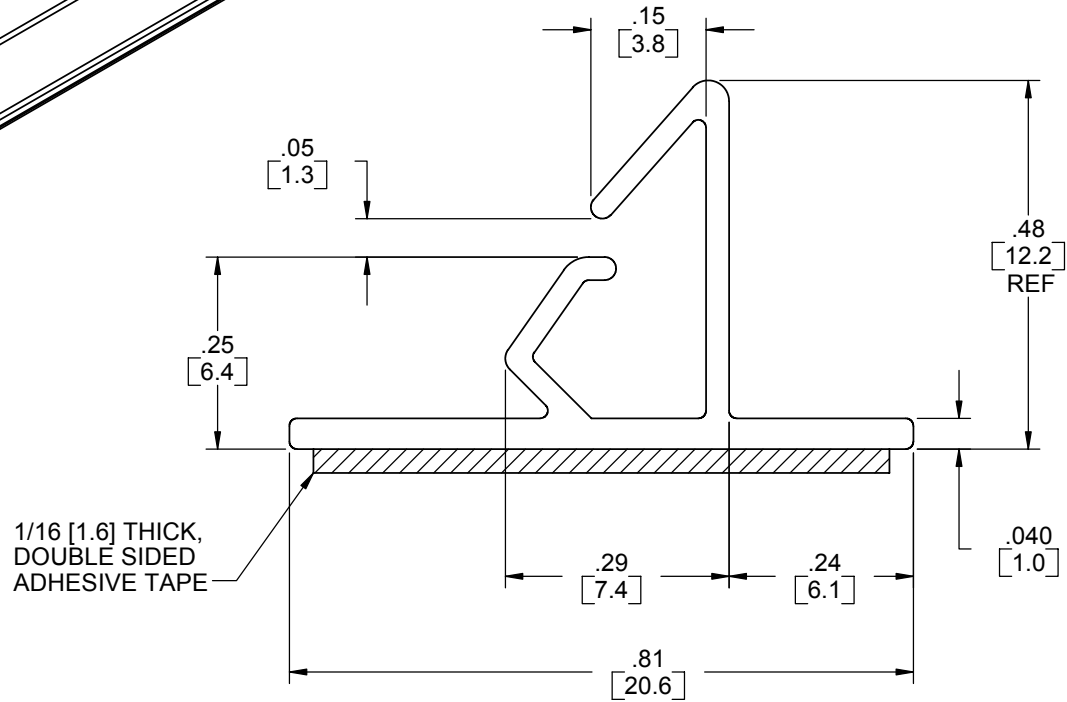
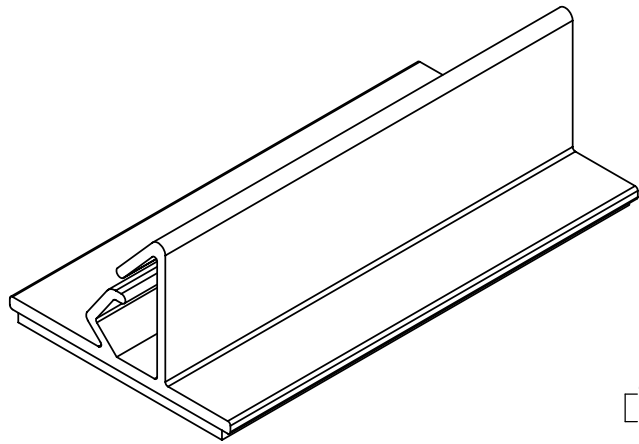


PART NO.	ADHESIVE
BMS-S-48	WITHOUT ADHESIVE
BMS-SA-48	WITH ADHESIVE



1/16 [1.6] THICK,
DOUBLE SIDED
ADHESIVE TAPE

- NOTES:
 1. MATERIAL: RIGID PVC (RMS-04).
 2. COLOR: BLACK.
 3. LENGTH: 48.000±.250 (1219.2±6.4).
 4. ACRYLIC ADHESIVE TAPE (RMS-15), WHITE LINER

TITLE: BOARD MOUNTING STRIP - SINGLE						DWG IN IN [MM]	
CREATED USING SOLIDWORKS	FILE #: BMS-S	DWN: SK	APP: -	FINAL			
TOLERANCES UNLESS NOTED .XX=±.02 .XXX=±.015 FRAC.=±1/32 ANG.=±3°	SHEET: 1 OF 1	SHEET SIZE: A	DT: 09/09/05	CHKD: -	PART #	PRINT TYPE	
RE: RICHCO, INC.	RICHCO, INC. ENG@RICHCO-INC.COM (773) 539-4060		SEE TABLE		CA		

E	SEE ECN #1055 FOR CHANGES	SK	09/13/05
-	SEE ENGINEERING FOR REV A-D	---	---
REV.	DESCRIPTION	ENGR.	DATE